

SFC360U

Product specification

DOC. VERSION 1.0

Startek Engineering Incorporated

December 2016

Content

Revision History	3
1 Overview	4
1.1 Description	4
1.2 Features	4
1.3 Applications	5
1.4 Specification	5
2 Packaging information	6
2.1 SFC360U packaging	6
2.2 Part drawing	6
2.3 Reference schematic	8

Revision History

Doc. Version	Revision Description	Date
1.	Initial version	2016/12/20

1 Overview

1.1 Description

The SFC360U is based on capacitive-contact technology with hardened surface and enhanced ESD resistivity. The build-in analog and digital circuitry minimizes the number of external component, and provides easy-to-use, standard SPI interface to microprocessors.

The operation of SFC360U is controlled through fingerprint image sensing by pixel array, A/D converting, digital process, following is simple interface protocol. The captured image quality of SFC360U can be adjusted by setting gain, offset and reference voltage parameters. In addition, the internal operation parameter and interface speed can also be configured to the need.

1.2 Features

- Spatial resolution 508 DPI
- 2D sensor array of 256x360 pixels
- Active sensing area 12.8 mm x 18 mm
- Build-in 8-bit ADC for digitizing image
- Build-in programmable voltage reference
- High speed SPI interface
- 0.1 sec read out time
- 32-byte on-chip data FIFO

1.3 Applications

The compact, thin packaging of SFC360U sensor allows a wide range of applications.

- Security devices
- Fingerprint identification systems
- Fingerprint recognition systems

1.4 Specification

Sensors	256 x 360 fingerprint sensor
Scanning Speed	1/4 second via USB
Image Resolution	508 dpi (H), 508 dpi (V)
Gray Level	8 bits/pixel, max 256 gray scales
PCB Dimension	60mm(L) x 40mm(W)
Scanner Interface	USB 2.0
Power Supply	30mA, for EK PCB (From USB port) Suspend Mode: < 500 uA
Demo Requirement	Win 7 / Win 8 / Win 10 , USB1.1 / 2.0
SOC Spec.	NUC12X
SOC package	QFN33, 5x5mm (NUC12X)

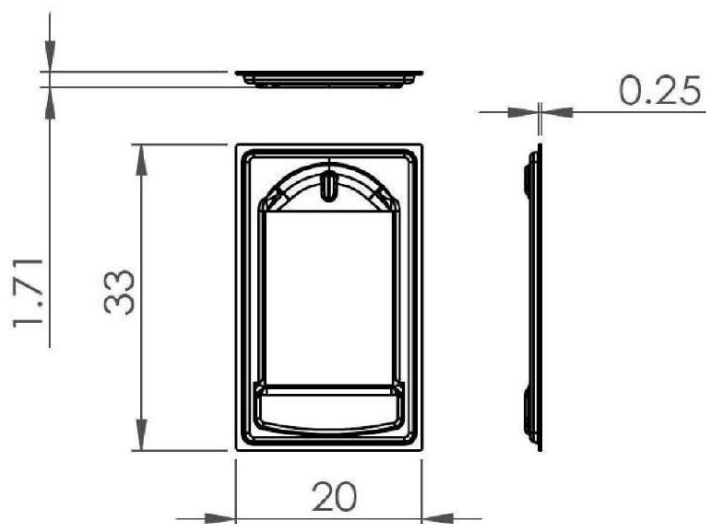
2 Packaging information

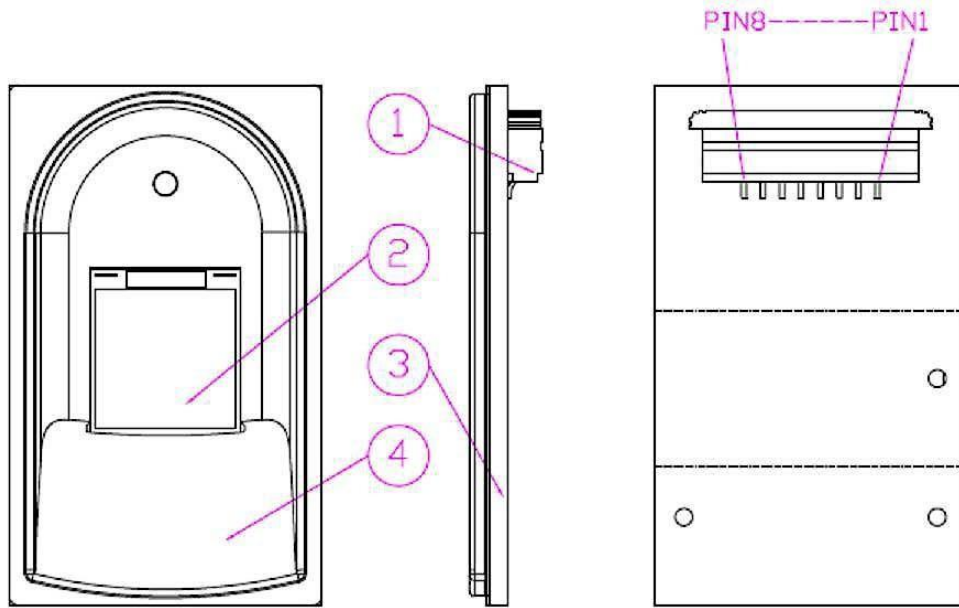
2.1 SFC360U packaging

Size: 33mm* 22mm* 1.7mm



2.2 Part drawing





ITEM	DESCRIPTION
1	Flex Cable Connector
2	FP Sensing Area
3	PCB Substrate
4	Protection Cap, ESD Shield

2.3 Reference schematic

